

NATIONAL TIME wall clocks are available in several dial sizes and will compliment any architectural treatment. Each clock is equipped with an all-metal case, convex glass crystal, and white polystyrene dial having black markings and hands. Sway proof hanger plates are furnished that securely hold the clock to the wall. Cases are attractively finished in Powder Gray enamel. Other finishes are available upon request. Refer to Bulletin C-323 for classic dial styles. National Time offers a complete line of Electromatic Clock Systems, Quartz Battery Operated Clocks, Dual Motor Clock Systems and high tech Rotary Drive Clocks to satisfy any specification.

Electromatic Clock Systems clocks are individually self regulated every hour and 12 hours by a Master clock, synchronizing scattered clocks. Each clock uses one motor and a reset coil device. Manual setting stems are provided for local control. Operating voltages can be 115VAC or 24VAC..

Dual Motor Clock System is a group resetting system using a second motor for corrections where all clocks advance together until either automatically or manually stopped. Series no. 970 reset panels are available to operate up to 4 clocks. Operating voltages can be 120VAC or 24VAC.

Refer to Bulletin C-332 for **Rotary Drive Clocks**.

U.L. Listed models available



Style 030-Round Flush
Style 110-Round Surface



Style 060-Square Flush
Style 050-Square Surface

Features:

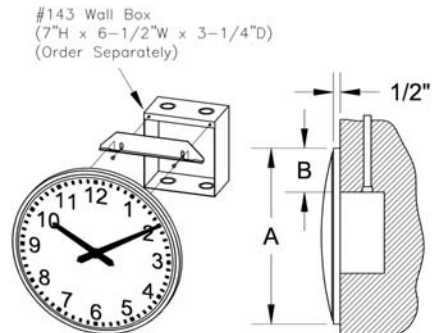
- Synchronous Motor 2-Wire Plug in Clocks
- Synchronous Motor 3-Wire Dual Motor Clock Systems
- Synchronous Motor 3-Wire Electromatic Self-regulating Clock Systems
- Quartz Battery Operated Clocks
- Round or Square
- Flush or Surface Mount

Flush Mount Electric Clocks

#143 WALL BOX (7"H X 6-1/2"W X 3-1/4"D) FOR
 10"-24" CLOCKS ORDERED SEPARATELY

HANGER SUPPLIED BY MANUFACTURER

No. 124 Buzzer, if used, can be installed in wall box.
 Shatter-Proof crystal now standard on 12" Round
 Series. For Shatter-Proof convex crystals add suffix -
 SP. Wire guards are available.
 Refer to Bulletin 332 for Rotary Drive Clocks.



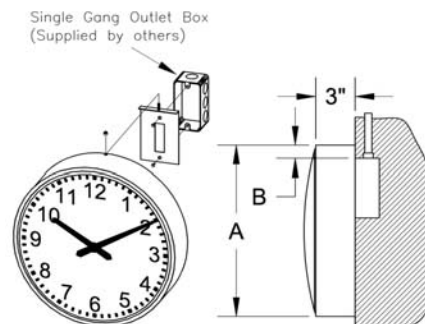
Dial Size	Clock Type No. With Desired Movement				A	B
	Regular 2-Wire	Self Regulating*	Dual Motor	Quartz Battery	Outside Diameter	Box Top to Clock Top
Round						
10"	030-10	030-10EX	030-10DM	030-10B	11 1/4"	2"
12"	030-12	030-12EX	030-12DM	030-12B	13"	3 1/4"
16"	030-16	030-16EX	030-16DM	030-16B	16 1/2"	4 3/4"
24"	030-24	030-24EX	030-24DM	N/A	23 1/4"	8"
Square						
12"	060-12	060-12EX	060-12DM	060-12B	12 1/2"	2 3/4"

*Add suffix -LL to EX series for low voltage 24VAC motor and correction coil, add -HH for line voltage (i.e., 030-10EX-HH)

Surface Mount Electric Clocks

SINGLE GANG OUTLET BOX SUPPLIED BY OTHERS
 FASTENER AND HANGER BRACKET SUPPLIED BY MANUFACTURER

No. 124 Buzzer, if used, can be installed in wall box.
 Shatter-Proof crystal now standard on 12" Round Series.
 For Shatter-Proof convex crystals add suffix -SP
 Wire guards are available.



Dial Size	Clock Type No. With Desired Movement				A
	Regular 2-Wire	Self Regulating*	Dual Motor	Quartz Battery	Outside Diameter
Round					
10"	110-10	110-10EX	110-10DM	110-10B	11- 5/8
12"	110-12	110-12EX	110-12DM	110-12B	13- 7/16
16"	110-16	110-16EX	110-16DM	110-16B	16-15/16"
24"	110-24	110-24EX	110-24DM	N/A	24"
Square					
12"	050-12	050-12EX	050-12DM	050-12B	12 1/2"

*add suffix -LL to EX series for low voltage 24VAC motor and correction coil, add -HH for line voltage (i.e. 110-10EX-HH).